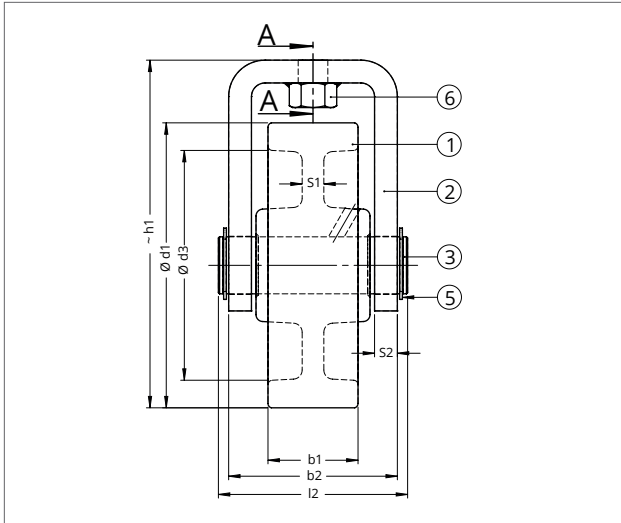
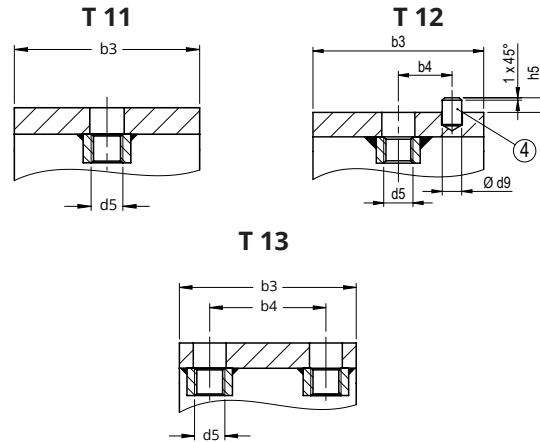


Tank Components

Transformer Wheels in Accordance with EN 50216-4
Type I / Connection with Nut and Pin



Connection Types (Section A - A)



Pos.	Qty			Description	Remarks
	T11	T12	T13		
1	1	1	1	Wheel	EN-GJL-200
2	1	1	1	Wheel housing	S235JR (1.0037)
3	1	1	1	Axle	S235JR (1.0037)*
4	-	1	-	Dowel pin	S235JR (1.0037)
5	2	2	2	Retaining ring	DIN 471
6	1	1	2	Hex nut	DIN 934

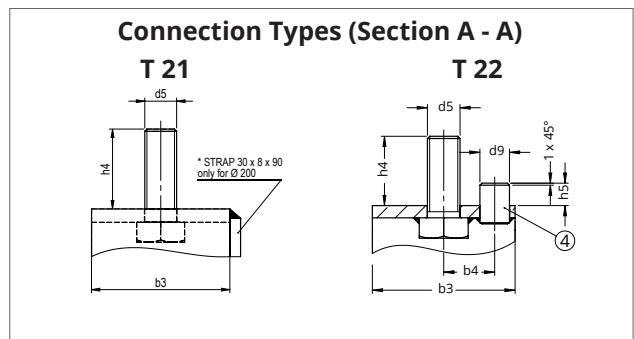
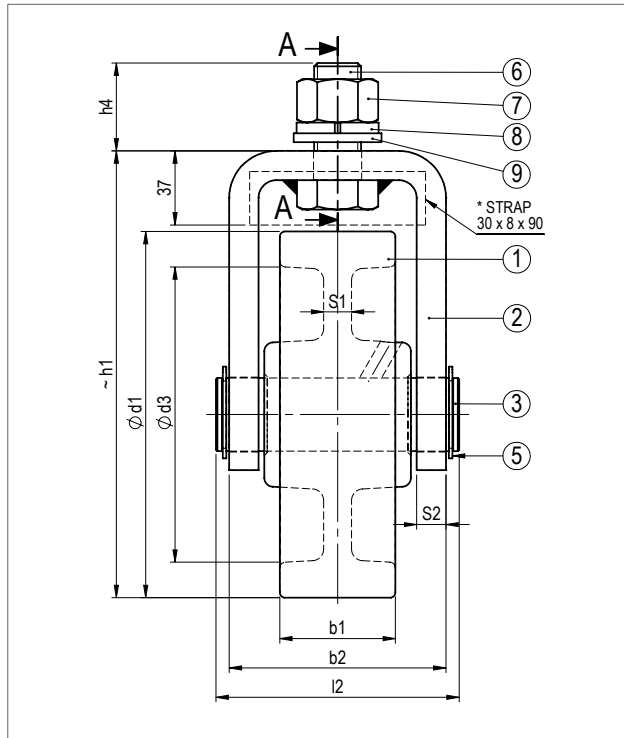
DN d1	S2	b1	b2	b3	h1	l2	Connection Type	b4	d5	Ø d9	h5	Load Capacity Kg	Thick Type				Thin Type			
													Ø d3	S1	Kg	Code No.	Ø d3	S1	Kg	Code No.
125	6	40	66	60	152	75	T 11	-	M 12	-	-	1200	100	10	3.2	561 11110K	109	8	2.5	561 11110E
							T 12	22								8.5				6
125	10	40	74	70	152	83	T 11	-	M 12	8.5	6	2500	100	10	3.9	561 10110K	109	8	3.2	561 10110E
							T 12	22								561 10120K				561 10120E
							T 13	46								-				-
160	10	50	84	80	195	95	T 11	-	M 16	11.5	4.5	3500	132	15	6.7	561 20110K	138	8	5.4	561 20110E
							T 12	27								561 20120K				561 20120E
							T 13	56								-				-
200	10	70	105	120	230	120	T 13	80	M 16	-	-	6000	160	17.5	15.7	561 30130K	175	12	12.9	561 30130E

Surface options: Zinc plating/hot dip galvanizing/wet or electrostatic powder painting (RAL 7032/RAL 7033/RAL 7035/RAL 7038)
*on request: X8CrNiS18-9 (1.4305)/AISI 303

Dimensions in millimeters [mm]

Tank Components

Transformer Wheels in Accordance with EN 50216-4
Type II / Connection with Bolt Screw and Pin



DN d1	S2	b1	b2	b3	h1	l2	Connection Type	b4	d5	Ø d9	h4	h5	Load Capacity Kg	Thin Type			
														Ø d3	S1	Weight Kg	Code No.
125	6	40	66	70	152	75	T 22	25	M 16 x 40	14.5	35	11	1200	109	8	2.9	M 561 12220E
125	10	40	74	70	152	83	T 21	-	M 16 x 35	-	30	-	1800	109	8	3.4	M 561 10210E
160	10	50	84	80	195	95	T 21	-	M 20 x 45	-	35	-	3500	138	8	5.9	M 561 20210E
200	10	70	105	104	230	120	T 21	-	M 24 x 70	-	60	-	6000	175	12	13	M 561 31210E
							T 21*										M 561 312110E

Pos.	Qty		Description	Remarks
	T21	T22		
1	1	1	Wheel	EN-GJL-200
2	1	1	Wheel housing	S235JR (1.0037)
3	1	1	Axle	S235JR (1.0037)*
4	-	1	Dowel pin	S235JR (1.0037)
5	2	2	Retaining ring	DIN 471
6	1	1	Bolt screw	DIN 933
7	1	1	Hex nut	DIN 934
8	1	1	Spring washer	DIN 127
9	1	1	Washer	DIN 125

Dimensions in millimeters [mm]

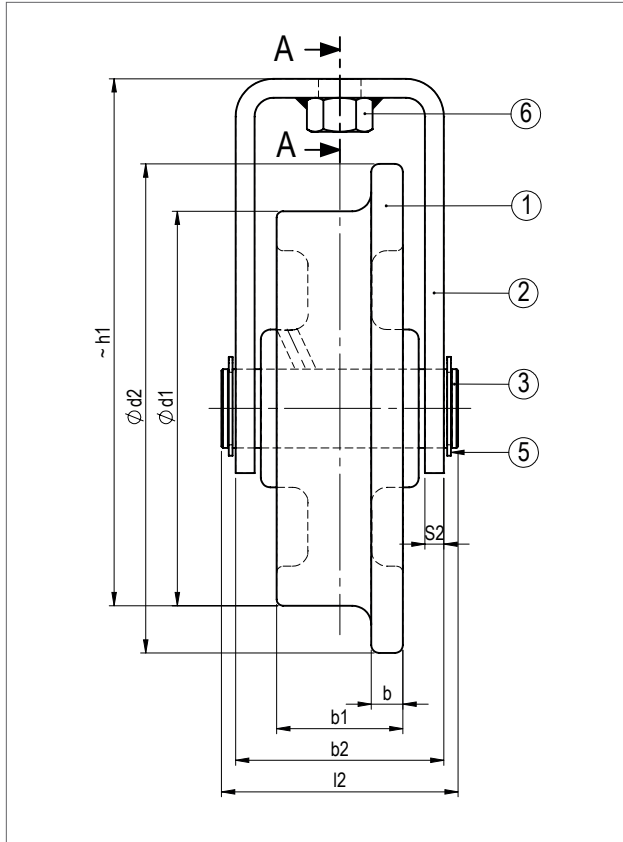
Surface options:

- Zinc plating
- Hot dip galvanizing
- Wet or electrostatic powder paint in (RAL 7032 / RAL 7033 / RAL 7035 / RAL 7038)

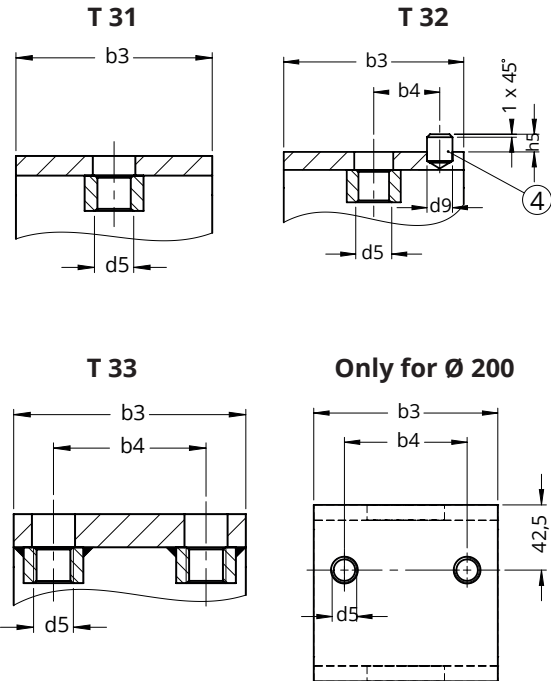
* On request: X8CrNiS18-9 (1.4305) / AISI 303

Tank Components

Transformer Wheels in Accordance with EN 50216-4
Type III / Rail Wheel Connection with Nut and Pin



Connection Types (Section A - A)



Pos.	Qty			Description	Remarks
	T31	T32	T33		
1	1	1	1	Wheel	EN-GJL-200
2	1	1	1	Wheel housing	S235JR (1.0037)
3	1	1	1	Axle	S235JR (1.0037)*
4	-	1	-	Dowel pin	S235JR (1.0037)
5	2	2	2	Retaining ring	DIN 471
6	1	1	2	Hex nut	DIN 934

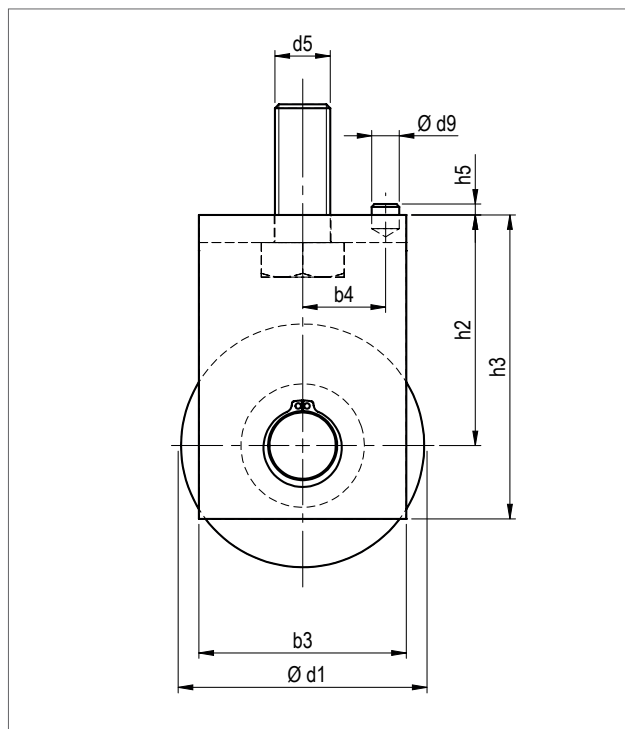
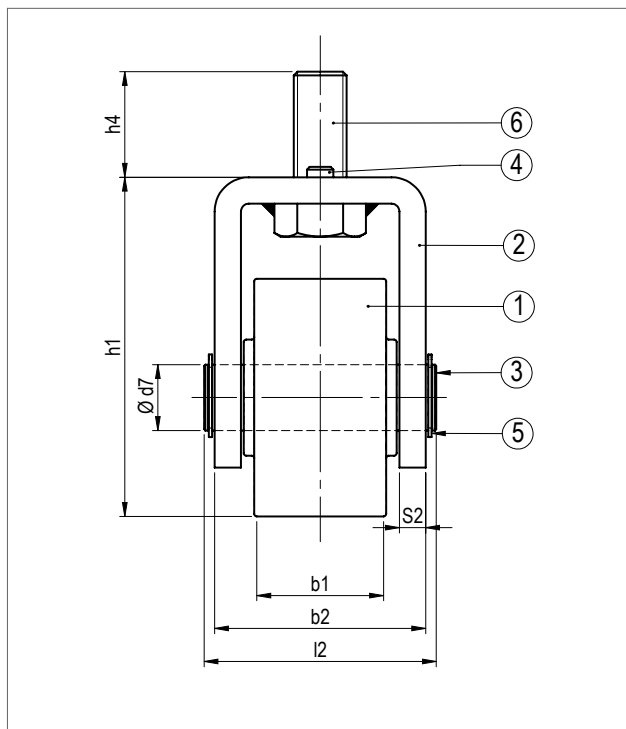
DN d1	Ø d2	b	b1	b2	b3	h1	l2	S2	Connection Type	b4	d5	Ø d9	h5	Weight Kg	Load Capacity Kg	Code No.
125	155	10	40	66	60	167	75	6	T 32	22	M 12	8	6	4.2	1200	561 R11320E
160	190	10	50	84	80	205	95	10	T 33	56	M 16	-	-	8.5	3500	561 R20330E
200	230	15	80	115	120	261	128	10	T 33	80	M 16	-	-	20.2	6000	561 R32330E

Surface options: Zinc plating/hot dip galvanizing/wet or electrostatic powder painting (RAL 7032/RAL 7033/RAL 7035/RAL 7038)
*On request: X8CrNiS18-9 (1.4305) / AISI 303

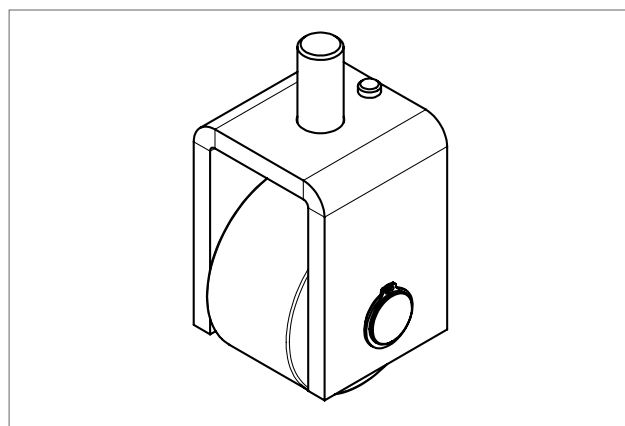
Dimensions in millimeters [mm]

Tank Components

Transformer Wheels in Accordance with EN 50216-4
Type IV / Connection with Bolt Screw and Pin



Pos.	Qty	Descriptions	Remarks
1	1	Wheel	S235JR (1.0037)
2	1	Wheel housing	S235JR (1.0037)
3	1	Axle	S235JR (1.0037)*
4	1	Dowel pin	S235JR (1.0037)
5	2	Retaining ring	DIN 471
6	1	Hex nut	DIN 933



DN Ø d1	S2	b1	b2	b3	b4	d5	Ø d7	Ø d9	h1	h2	h3	h5	l2	Weight Kg	Code No.
50	5	22	29	38	15	M 10 x 50	10	6	65.5 - 66.75	40.5 - 41.75	52	3	46	0.6	561 504200
70	6	25	32	65	25	M 16 x 65	12	8	92.5 - 93.75	57.5 - 58.75	72	4	53	1.5	561 704200
80	10	32	41	75	30	M 20 x 75	16	10	112.5 - 113.75	72.5 - 58.75	93	4	69	2.9	561 804200
90	10	50	60	75	30	M 20 x 50	25	10	128.5 - 130	83.5 - 85	110	4	88	4.4	561 904200

Surface options: Zinc plating/hot dip galvanizing/wet or electrostatic powder painting (RAL 7032/RAL 7033/RAL 7035/RAL 7038)
*On request: X8CrNiS18-9 (1.4305) / AISI 303

Dimensions in millimeters [mm]